

PUSH CC DMX

Push is a 4 channel constant current source solution. It caters LED lighting applications of up to 48 (4x12) high brightness LEDs. Push CC DMX is DMX512 controllable. Push allows the flexibility needed in driving your high brightness LEDs. Push is



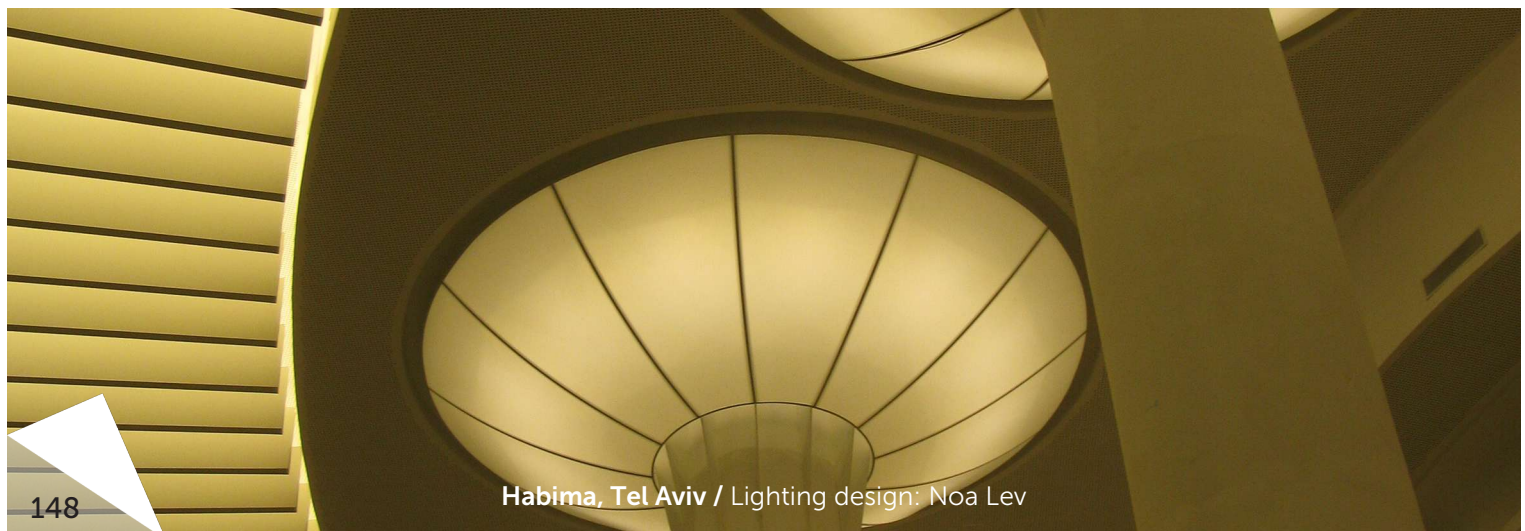
	<ul style="list-style-type: none"> DIN Rail Mount 120 * 100 x * 50mm Terminal Block Plugs
	<ul style="list-style-type: none"> Constant Current Max. 120W, 4 Ch 2~48V DC
	<ul style="list-style-type: none"> DMX 512 Protokoll
	<ul style="list-style-type: none"> Self diagnostic protocol Line & Circuit protection Thermal protection

FEATURES

- Architectural Use
- LED lighting effects
- Theatrical and studio lighting
- Commercial and retail
- Domestic and commercial use

OUTPUT

- 350mA / 500mA / 700mA = Max.48 LEDs / 1 output / 4 Ch
- 1050mA / 1400mA = Max 48 LEDs / 1 output / 2 Ch
- Max. 48VDC



GENERAL

Rated Output Power	Max. 120W
Output Voltage	2~48VDC
Driving Current	(350, 500, 700)mA x 4 channels / (1050, 1400)mA x 2 channels
Output CHs Configuration	1 Outputs total 4 channels
Channel Driving Capabilities	Min. 1 LED per channel Max. 12 LEDs per channel
Total Driving Capabilities	Max. 48 X 3W LED At 48V/700mA
Optimal Output Resolution	256 grades (per channel)

PROTECTION

Fixture Protection	Open / Short line protection Wrong interconnection protection
Thermal Protection	Active Thermal Protection (reduces current according to fixture temp.)
DMX Protection	Preserves previous state on all outputs , failure indication on front LED's

CONTROL INTERFACE

Control Method	DMX512
Stand Alone Working Mode	1-4 Channels

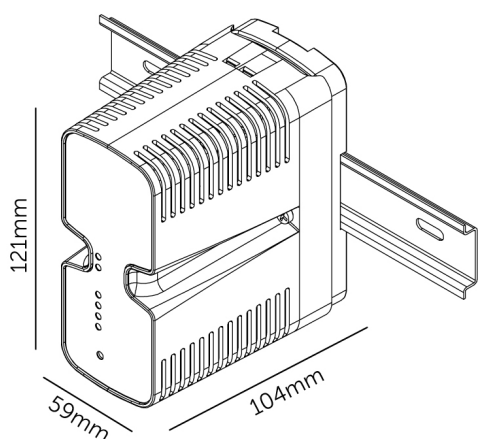
ENVIRONMENT

Ingress Protection	IP 40
Operating temp	-18~40°C / 0~104°F
Storage temp	-18~40°C / 0~104°F
Humidity	85% RH

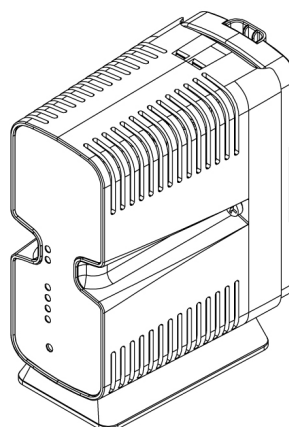
PHYSICAL

Connections Screwable terminal blocks

Size H121mm * D104mm * W60mm



DIN Rail Configuration



Free Standing Configuration